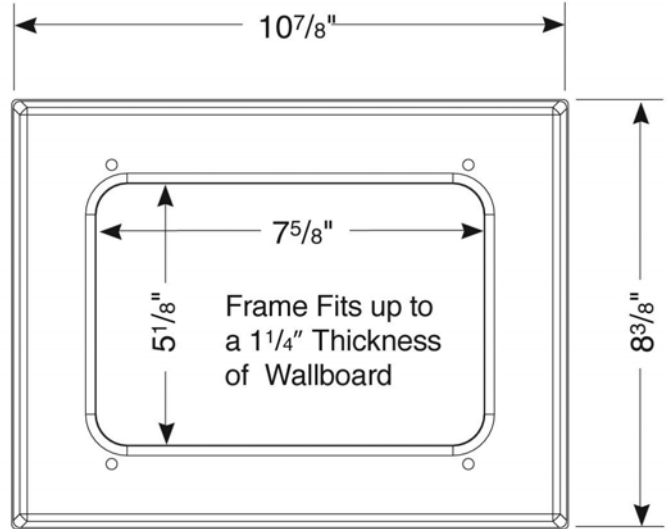
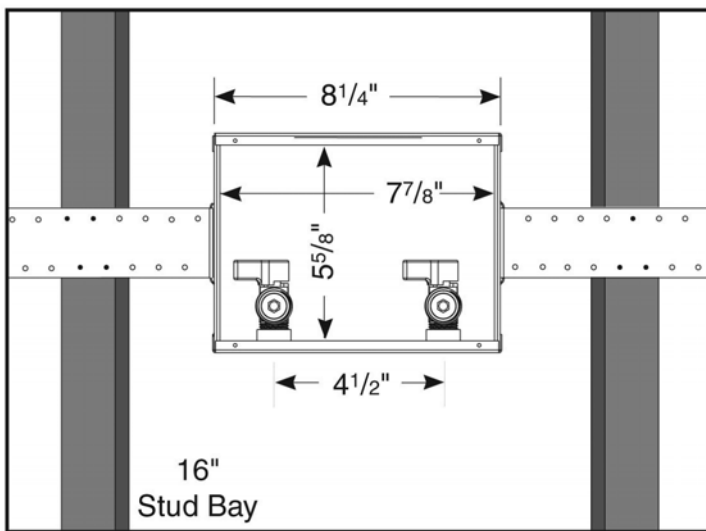


# SPECIFICATION SUBMITTAL SHEET



## Center Drain Metal Washing Machine Outlet Box



## SPECIFICATIONS

Furnish and install recessed metal powder coated washing machine box with 2" center drain outlet and quarter turn or single lever valves with or without hammer arresters. Hammer arresters shall conform to IPC-2006, UPC listed and ASSE Certified to ANSI/ASSE 1010-2004 Standard. Product Code below. Manufactured in Collierville, TN.

PROD. CODE	DESCRIPTION	MODEL #	
82118	Center Drain w/1/2" Sweat Qtr. Turn Hammer Arrester Valves	MWB 9	Unassembled
82119	Center Drain w/1/2" Sweat Qtr. Turn Valves Cont. Pack	MWB 10	Unassembled*
82120	Center Drain w/1/2" Sweat Qtr. Turn Valves	MWB 11	Unassembled
82121	Center Drain w/1/2" Sweat Qtr. Turn Valves Cont. Pack	MWB 12	Unassembled*
82122	Center Drain w/1/2" Sweat Qtr. Turn Valves	MWB 13	Installed
82123	Center Drain w/1/2" Sweat Qtr. Turn Valves Cont. Pack	MWB 14	Installed*
82146	Center Drain w/1/2" Pex Qtr. Turn Valves	MWB 15	Installed
82154	Center Drain w/1/2" Sweat Qtr. Turn Hammer Arrester Valves	MWB 19	Installed*

\* Frames packed separately from boxes and mounting flanges for protection and safe keeping until finishing stage.



[www.ipscorp.com](http://www.ipscorp.com)    [watertite@ipscorp.com](mailto:watertite@ipscorp.com)

500 Distribution Parkway, Collierville, TN 38017, USA    ■ TEL: 901-853-5001    ■ WATS: 800-888-8312    ■ FAX: 901-853-5008



**Metal MWB Series White Powder Coated  
Center Drain Outlet Boxes**

82161	1/2" Qtr. Turn Sweat Valve Top Mount Installed
86162	1/2" Qtr. Turn Sweat Valve Top Mount Installed w/Arrester
82162	1/2" Qtr. Turn Wirsbo® Top Mount Installed
86163	1/2" Qtr. Turn CPVC Valve Top Mountr Installed w/ Arrester
86164	1/2" Qtr. Turn CPVC Valve Top Mount Installed with Arrester