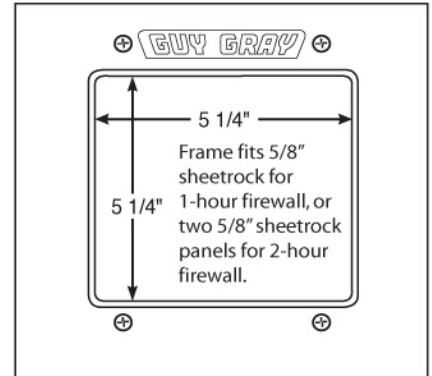
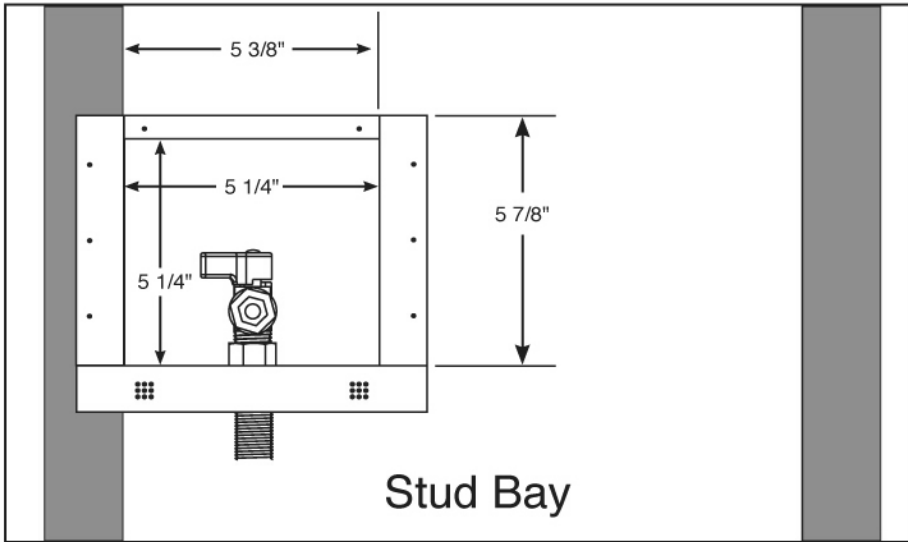


SPECIFICATION SUBMITTAL SHEET



Metal Fire Rated Ice Maker Outlet Boxes



SPECIFICATIONS

Furnish and install recessed fire rated white powder coated metal ice maker outlet box. Ice maker outlet box shall be factory installed with 1/4 turn ball valve or domestic valve; with or without hammer arrester listed to ASSE 1010. Outlet box shall be mounted through nail holes of attached mounting ears. Unit shall be Guy Gray product code checked with the appropriate valve connection as manufactured by IPS Corporation in Collierville, TN.

PROD.CODE	DESCRIPTION	MODEL#
See Reverse Side	Complete Product Listing on Reverse Side	



www.ipscorp.com
 watertite@ipscorp.com

500 Distribution Parkway, Collierville, TN 38017, USA ■ TEL: 901-853-5001 ■ WATS: 800-888-8312 ■ FAX: 901-853-5008



Metal FR-12 Fire Rated Ice Maker Outlet Boxes

Description	Product #	Model #	UPC	Units
IMOB w/Quarter Turn Valve Models				
Guy Gray Fire Rated IMOB w/ 1/2" Sweat Qtr Turn Valve	82608	FRMIB12S	012181826089	5
Guy Gray Fire Rated IMOB w/ 1/2" CPVC Qtr Turn Valve	82610	FRMIB12C	012181826102	5
Guy Gray Fire Rated IMOB w/ 1/2" Pex Qtr Turn Valve	82612	FRMIB12P	012181826126	5
Guy Gray Fire Rated IMOB w/ 1/2" Wirsbo Qtr Turn Valve	82614	FRMIB12W	012181826140	5
IMOB w/Quarter Turn Valve with Hammer Arrester Models				
Guy Gray Fire Rated IMOB w/ 1/2" Sweat Qtr Turn Arrester Valve	82616	FRMIB12SHA	012181826164	5
Guy Gray Fire Rated IMOB w/ 1/2" CPVC Qtr Turn Arrester Valve	82618	FRMIB12CHA	012181826188	5
Guy Gray Fire Rated IMOB w/ 1/2" Pex Qtr Turn Arrester Valve	82620	FRMIB12PHA	012181826201	5
Guy Gray Fire Rated IMOB w/ 1/2" Wirsbo Qtr Turn Arrester Valve	82622	FRMIB12WHA	012181826225	5
IMOB w/Domestic Valve Models				
Guy Gray Fire Rated IMOB w/ 1/2" Sweat Domestic Valve	82624	FRMIB12DS	012181826249	5
Guy Gray Fire Rated IMOB w/ 1/2" CPVC Domestic Valve	82626	FRMIB12DC	012181826263	5
Guy Gray Fire Rated IMOB w/ 1/2" Pex Domestic Valve	82628	FRMIB12DP	012181826287	5