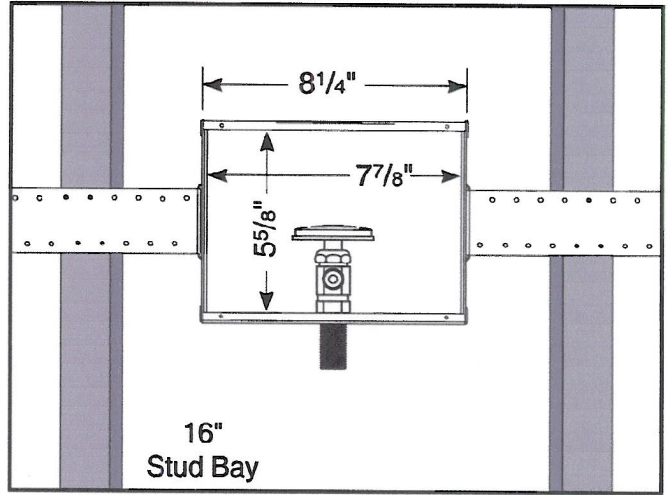
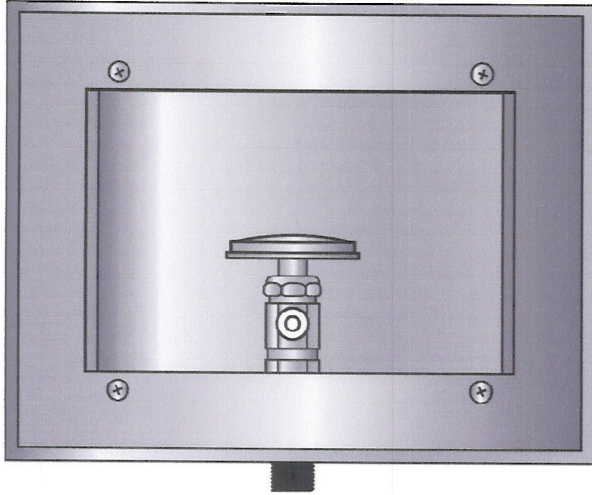


SPECIFICATION SUBMITTAL SHEET

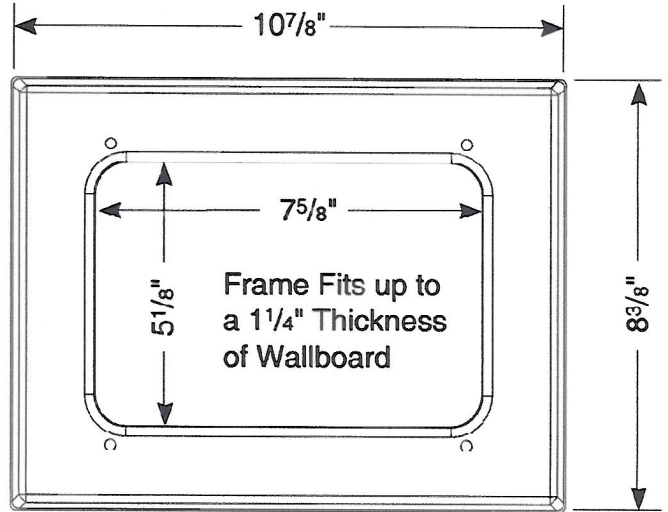
WATER·TITE

Stainless Steel Ice Maker Box



SPECIFICATIONS

Furnish and install recess stainless steel ice maker box with domestic 1/4" outlet ice maker valve. Product shall be model number 88152 as manufactured by IPS Corporation.



✓	PROD. CODE
	88157

MODEL#	DESCRIPTION
SSIB2	Guy Gray Stainless Steel Ice Maker Box with domestic ice maker valve

*Frames packed separately from boxes and mounting flanges for protection and safe keeping until finishing stage.



Manufacturers of **WELD·ON** and **WATER·TITE** Products

202 Industrial Park Ln • P.O. Box 220 • Collierville, TN 38027, U.S.A. • Tel: 901-853-5001 • Wats: 1-800-888-8312 • Fax: 901-853-5008
 455 West Victoria • Compton, CA 90220, U.S.A. • Tel: 310-898-3300 • Wats: 1-800-421-2677 • Fax: 310-898-3390