



**Attractive
designer-style,
tamper-resistant,
the ultimate
ADA-engineered
protective lavatory
enclosure**

Architects and engineers specify LAV SHIELD to meet important ADA undersink requirements while enhancing aesthetic appeal.

Since 1990, we at TRUEBRO, INC. have concentrated our efforts on "Making America Accessible" by creating products that address ADA-mandated undersink wheelchair accessibility.

Specifying TRUEBRO is your assurance of protecting people with disabilities while providing quality, durability, and improved aesthetics.



LAV SHIELD®
LAVATORY PROTECTIVE ENCLOSURES



LAV SHIELD® represents the "next generation" of ADA compliant undersink protection by meeting mandated knee and toe clearance requirements for wheelchair users.

Durable, single-piece construction prevents pipe and component tampering—providing sanitary advantages to medical and other facilities by concealing all lavatory piping, electronic faucet components, mixing valves, trap primers, and instantaneous water heaters.* A truly attractive alternative to individual component covers that will satisfy even the most discriminating designer.



TRUEBRO®

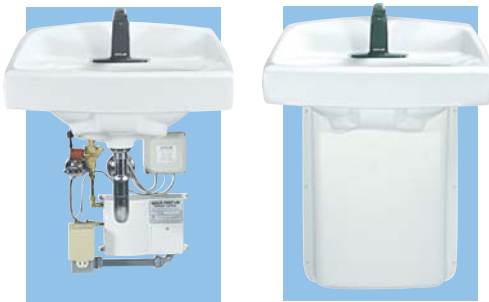
IPS CORPORATION



Features and Benefits:

ADA-conforming attractive profile is aesthetically refreshing.

The LAV SHIELD tastefully conceals all unsightly plumbing and mechanical components from view while satisfying ADA dimensional requirements.



Exposed

Enclosed

"Total enclosure" design protects lavatory components from tampering.

Heavy-duty, vandal-resistant enclosure shields all piping, electronic faucet components, mixing valves, trap primers, and instantaneous water heaters.* Vandal-resistant fasteners are also available upon request.

Sanitary advantages for medical facilities.

LAV SHIELD contains an antimicrobial additive to resist fungal and bacterial growth making the LAV SHIELD an excellent cover to use in medical and health care facilities. Installing LAV SHIELD in these facilities eliminates the need to sanitize P-Traps, angle stops, supply lines and electrical components under the sink.

Wide variety of custom options available.

Available in our standard field fit model which allows contractor to custom fit LAV SHIELD to underside of lavatory. For an even faster and more tailored fit, LAV SHIELD can be purchased factory pre-cut to the underside geometry of the actual lavatory being installed. Pre-cut models are listed at right.

Easy-to-service single-piece configuration.

The LAV SHIELD may be quickly removed for convenient, unhindered access to all plumbing and mechanical components. Reinstallation takes just minutes.

High-impact, UV-protected vinyl maximizes product life cycle.

The LAV SHIELD is molded from impact-resistant, stain-resistant and chemical-resistant rigid vinyl for durability, safety and long life.

Strict code compliance minimizes risk.

The LAV SHIELD complies with ADA article 4.19.4, California Title 24, ANSI A117.1, BOCA P 1203.4, and other state and local regulations.

*Lavatory "rough in" should be considered to allow mounting room for instantaneous water heater behind enclosure. Contact TRUEBRO for specifications.

Specifications:

Material	Rigid high-impact, stain-resistant PVC
Nominal Wall	.093"
Finish	Fine haircell
UV Protection	Will not fade or discolor
Durability	Virtually indestructible - tamper resistant screws available
Fasteners	7 stainless steel screws and wall anchors provided
Color	China white
Compatibility	Fits all ADA-conforming 20" x 18" wall-hung china lavatories
Paintability	Acrylic enamel or latex
UL Listing	In accordance with ADA Article 4.19.4
Flammability	UL-94 V-0, 5VA ASTM D-635-91 4 (ATB) 2.1 (AEB)
Bacterial/Fungal Resistance	ASTM G21 and G22 — Result 0

TRUEBRO reserves the right to change specification changes without notice.

Custom Factory Pre-cut Models:

- Model #2018-AS-C – Am.Std. Comrade
- Model #2018-AS-D – Am.Std. Declyn
- Model #2018-AS-L – Am.Std. Lucerne
- Model #2018-AS-M – Am.Std. Muro
- Model #2018-AS-OL – Am.Std. Old Lucerne
- Model #2018-AS-R – Am.Std. Roxalyn
- Model #2018-BD-I – Bradley Imperial
- Model #2018-BR-M – Briggs Milton
- Model #2018-BR-W – Briggs Whitman
- Model #2018-CR-H – Crane Harwich
- Model #2018-CR-N – Crane Norwich
- Model #2018-CR-W – Crane Westmont
- Model #2018-CR-Y – Crane Yorkshire
- Model #2018-EL-B – Eljer Blair
- Model #2018-EL-D – Eljer Delwyn
- Model #2018-EL-M – Eljer Mayburne
- Model #2018-EL-S – Eljer Signature
- Model #2018-EL-U – Eljer Bucknell
- Model #2018-GR-H – Gerber Hayes
- Model #2018-GR-P – Gerber Plymouth
- Model #2018-KO-C – Kohler Chesapeake
- Model #2018-KO-G – Kohler Greenwich
- Model #2018-KO-H – Kohler Hudson
- Model #2018-KO-K – Kohler Kington
- Model #2018-KO-P – Kohler Pinoir
- Model #2018-KO-S – Kohler Soho
- Model #2018-MA-H – Mansfield 2018 HB
- Model #2018-MA-NS – Mansfield 2018 HB-NS
- Model #2018-TO-L – Toto LT307
- Model #2018-VT – Vitra 5072-003-0030

Suggested Specification:

ADA-conforming, 20" x 18" Wheelchair Accessible Lavatories shall be equipped with the molded TRUEBRO, INC. LAV SHIELD protective lavatory enclosure Model #2018. LAV SHIELD is available standard or pre-cut at the factory upon specification:

LAV SHIELD Standard (Field Fit)

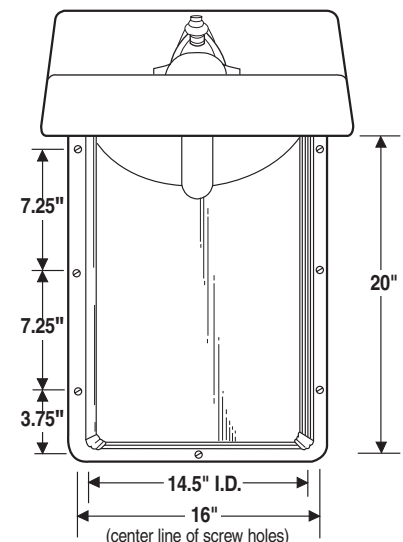
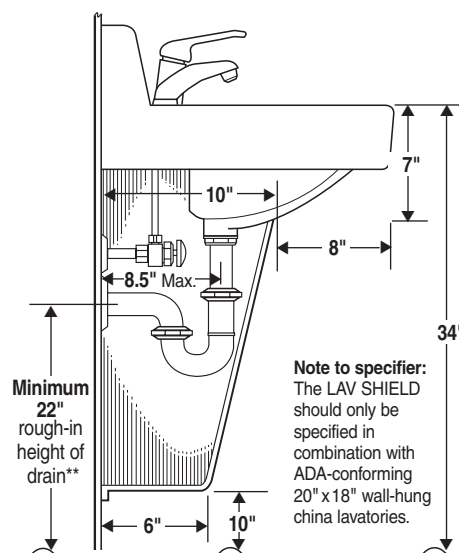
LAV SHIELD Factory Pre-cut

(List model # and lavatory make from list at left.)

Model # _____

Make _____

Note to specifier: The LAV SHIELD should only be specified in combination with ADA-conforming 20" x 18" wall-hung china lavatories.



IPS Corporation, 202 Industrial Park Lane
 Collierville, TN 38017

(901) 853-5001 (800) 340-5969 FAX: (901) 853-5008
 e-mail: info@truebro.com Internet: http://www.truebro.com

U.S. and Canadian Patents:

D373,412, D372,077, D384,732, D393,700, D390,643, 79,064, 79,063

** Less than 22" rough in height, certain job conditions or certain lavatories may require an offset tailpiece or offset grid strainer.



LAV SHIELD CLASSIFIED
 BY UNDERWRITERS
 LABORATORIES, INC.*
 IN ACCORDANCE WITH
 ADA article 4.19.4 22FF